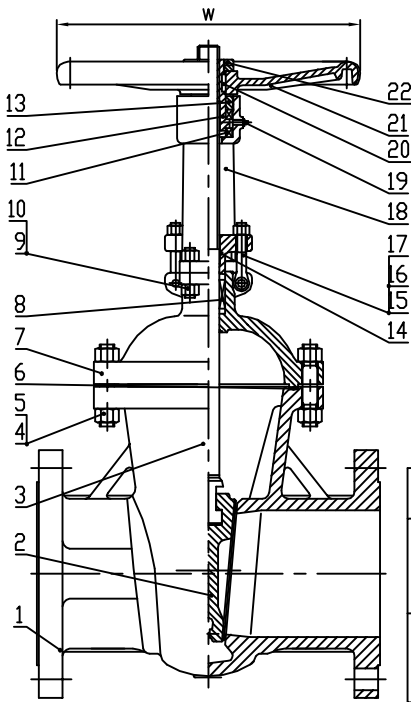


## GOST GATE VALVE PN16

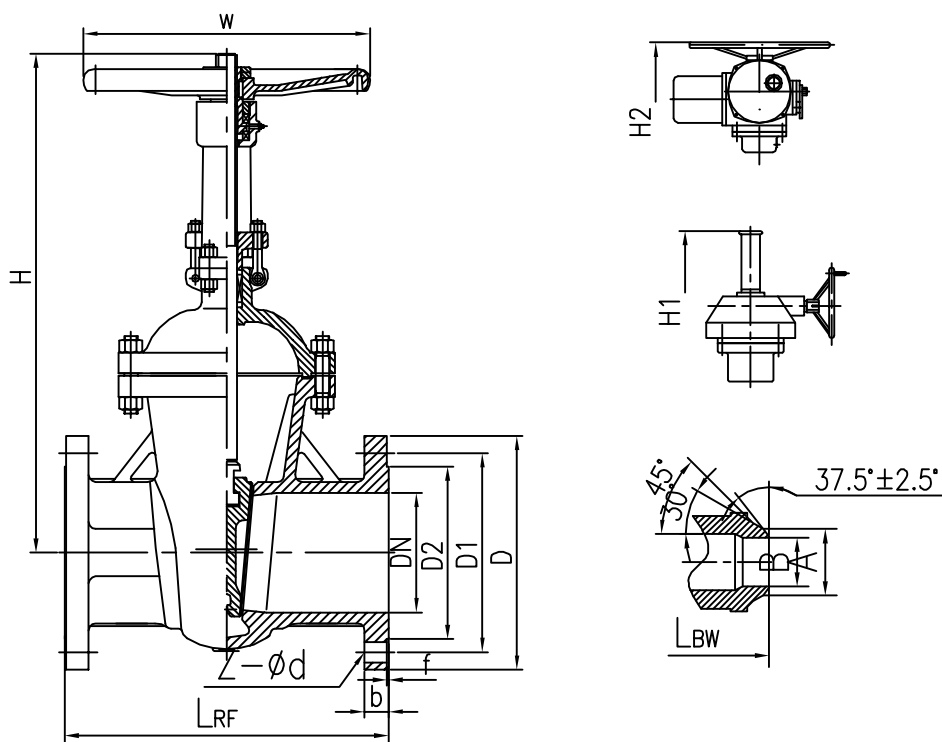


Standard and Specification / 标准与规范					
Design standard 设计标准	Face to face 结构长度	Flange connection 法兰连接	Welding connection 焊接连接	Testing standard 试验与检验	Pressure and temp 压力-温度等级
GOST	GOST	GOST	GB/T 12224	ISO5208	GB/T12224

Performance specification / 性能规范						
PN 公称压力(MPa)	Shell test 壳体试验(MPa)	Sealing test 密封试验(MPa)	Back seal test 上密封(MPa)	Oil seal test 气密试验(MPa)	Temperature 适用温度(℃)	Medium 使用介质
1.6	2.4	1.76	1.76	0.6	-29℃~425℃	Water, Steam, Oil, Gas, etc. / 水、蒸气、油品等

NO./序号	Name/名称	Material/材料					
		WCB+13Cr	CF8	CF8M	CF3	CF3M	LCC+STL
1	Body/阀体	WCB+13Cr	CF8	CF8M	CF3	CF3M	LCC+STL
2	Disc/阀板	WCB+13Cr	CF8	CF8M	CF3	CF3M	LCC+STL
3	Stem/阀杆	2Cr13	F304	F316	F304L	F316L	F304
4	Bolts/双头螺栓	45#	0Cr18Ni9	0Cr18Ni9	0Cr18Ni9	0Cr18Ni9	35CrMoA
5	Nuts/六角螺母	35#	0Cr18Ni9	0Cr18Ni9	0Cr18Ni9	0Cr18Ni9	45#
6	Gasket/复合垫片	304+Flexible Graphite	304+Flexible Graphite	304+Flexible Graphite	304+Flexible Graphite	304+Flexible Graphite	304+Flexible Graphite
7	Bonnet/阀盖	WCB	CF8	CF8M	CF3	CF3M	LCC
8	Packing/填料	Graphite	Graphite	Graphite	Graphite	Graphite	Graphite
9	Bolts/双头螺栓	45#	0Cr18Ni9	0Cr18Ni9	0Cr18Ni9	0Cr18Ni9	35CrMoA
10	Nuts/六角螺母	35#	0Cr18Ni9	0Cr18Ni9	0Cr18Ni9	0Cr18Ni9	45#
11	Thrust bearing/ 推力轴承	Bearing steel	Bearing steel	Bearing steel	Bearing steel	Bearing steel	Bearing steel
12	Nut/阀杆螺母	ZQAL9-4	ZQAL9-4	ZQAL9-4	ZQAL9-4	ZQAL9-4	ZQAL9-4
13	Bearing cover 轴承压盖	25#	25#	25#	25#	25#	25#
14	Packing cover 填料压盖	WCB	CF8	CF8M	CF3	CF3M	LCC
15	Pin/销轴	2Cr13	304	304	304	304	2Cr13
16	Bolts/活节螺栓	45#	0Cr18Ni9	0Cr18Ni9	0Cr18Ni9	0Cr18Ni9	45#
17	Nuts/六角螺母	35#	0Cr18Ni9	0Cr18Ni9	0Cr18Ni9	0Cr18Ni9	35#
18	Yoke/支架	WCB	CF8	CF8	CF8	CF8	WCB
19	Oil cup/注油杯	Bronze	Bronze	Bronze	Bronze	Bronze	Bronze
20	Flat key/平键	35#	304	304	304	304	35#
21	Handwheel/手轮	GGG40	GGG40	GGG40	GGG40	GGG40	GGG40
22	Lock nut/锁紧螺母	25#	25#	25#	25#	25#	25#

## GOST GATE VALVE PN16



Z40(H, Y, W)–16(C, P, R, I)

DN	L <sub>RF</sub>	L <sub>BW</sub>	D(φ)	D1(φ)	D2(φ)	f	b	Z-φd	A	B	H	w(φ)
50	250	250	165	125	99	2	20	4-φ18	60	52	355	200
65	270	270	185	145	118	2	20	4-φ18	75	63	376	200
80	280	280	200	160	132	2	20	8-φ18	91	78	435	280
100	300	300	220	180	156	2	22	8-φ18	117	102	502	300
125	325	325	250	210	184	2	22	8-φ18	144	128	615	320
150	350	350	285	240	211	2	24	8-φ22	172	154	675	360
200	400	400	340	295	266	2	24	12-φ22	223	203	820	400
250	450	450	405	355	319	2	26	12-φ26	278	255	970	450
300	500	500	460	410	370	2	28	12-φ26	329	305	1145	500
350	550	550	520	470	429	2	30	16-φ26	362	337	1280	550
400	600	600	580	525	480	2	32	16-φ30	413	387	1451	600
450	650	650	640	585	548	2	40	20-φ30	464	438	1545	650
500	700	700	715	650	609	2	44	20-φ33	516	489	1678	700
600	800	800	840	770	720	2	54	20-φ36	619	591	1875	800
700	900	900	910	840	794	5	40	24-φ36	721	695	2085	900
800	1000	1000	1025	950	901	5	42	24-φ39	825	797	2405	950
900	1100	1100	1125	1050	1001	5	44	28-φ39	927	899	2950	1000
1000	1200	1200	1255	1170	1112	5	46	28-φ42	-	-	3244	1000